



# SERIES N 50 Ω, COAXIAL CONNECTORS

## DESCRIPTION

HUBER+SUHNER N connectors are available with 50 Ω and 75 Ω impedance. The frequency range extends to 18 GHz, depending on the connector and cable type. The screw-type coupling mechanism provides a sturdy and reliable connection.

HUBER+SUHNER N connectors are available for flexible cables, for semi-rigid cables and for corrugated copper tube cables.

Cable entries: clamp, crimp and solder types available, as well as HUBER+SUHNER QUICK-FIT for corrugated copper tube cables.

### Compatibility

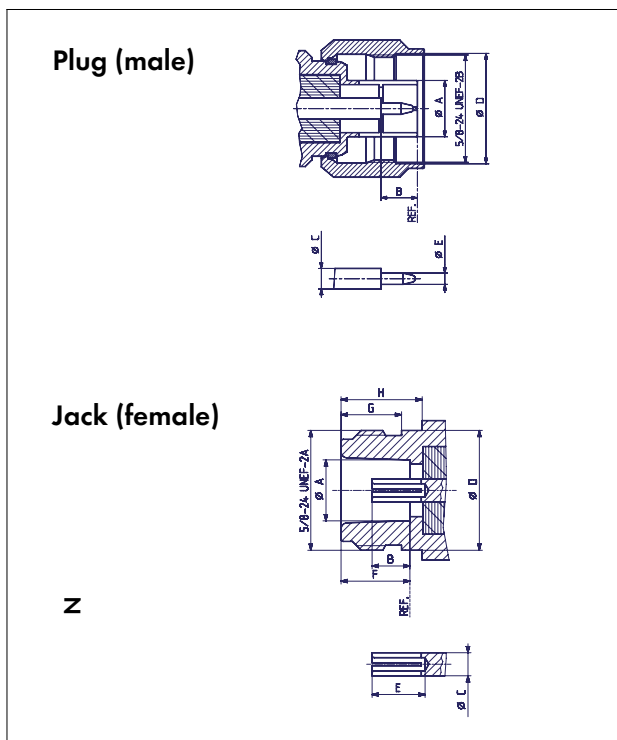
Inner conductors of N 75 Ω connectors have a smaller diameter than those of the 50 Ω version. Therefore 50 Ω and 75 Ω connectors must not be mated with each other.

## CONTENTS

## PAGE

|                                     |     |
|-------------------------------------|-----|
| Description                         | 273 |
| Interface dimensions                | 273 |
| Interface dimensions in mm / inches | 273 |
| Technical data                      | 274 |
| Cable connectors                    | 277 |
| Receptacles with solder end         | 293 |
| Stripline launchers                 | 296 |
| Protective caps                     | 297 |
| HUBER+SUHNER QUICK-FIT              | 323 |

## INTERFACE DIMENSIONS



## INTERFACE DIMENSIONS (MM / INCHES)

|   | Plug       |           | Jack       |            |
|---|------------|-----------|------------|------------|
|   | min.       | max.      | min.       | max.       |
| A | –          | 8.38/.330 | 8.03/.316  | 8.13/.320  |
| B | 5.33/.210  | 5.84/.230 | 4.75/.187  | 5.26/.207  |
| C | –          | 3.15/.124 | –          | 3.15/.124  |
| D | 16.00/.630 | –         | –          | 15.93/.627 |
| E | 1.60/.063  | 1.68/.066 | 5.33/.210  | –          |
| F | –          | –         | 9.04/.356  | 9.19/.362  |
| G | –          | –         | 6.76/.266  | –          |
| H | –          | –         | 10.72/.422 | –          |

Interface dimensions conformable to the Standards:

International: **IEC 61169-16**  
 Europe: **CECC 22 210**  
 USA: **MIL-STD-348A/304**

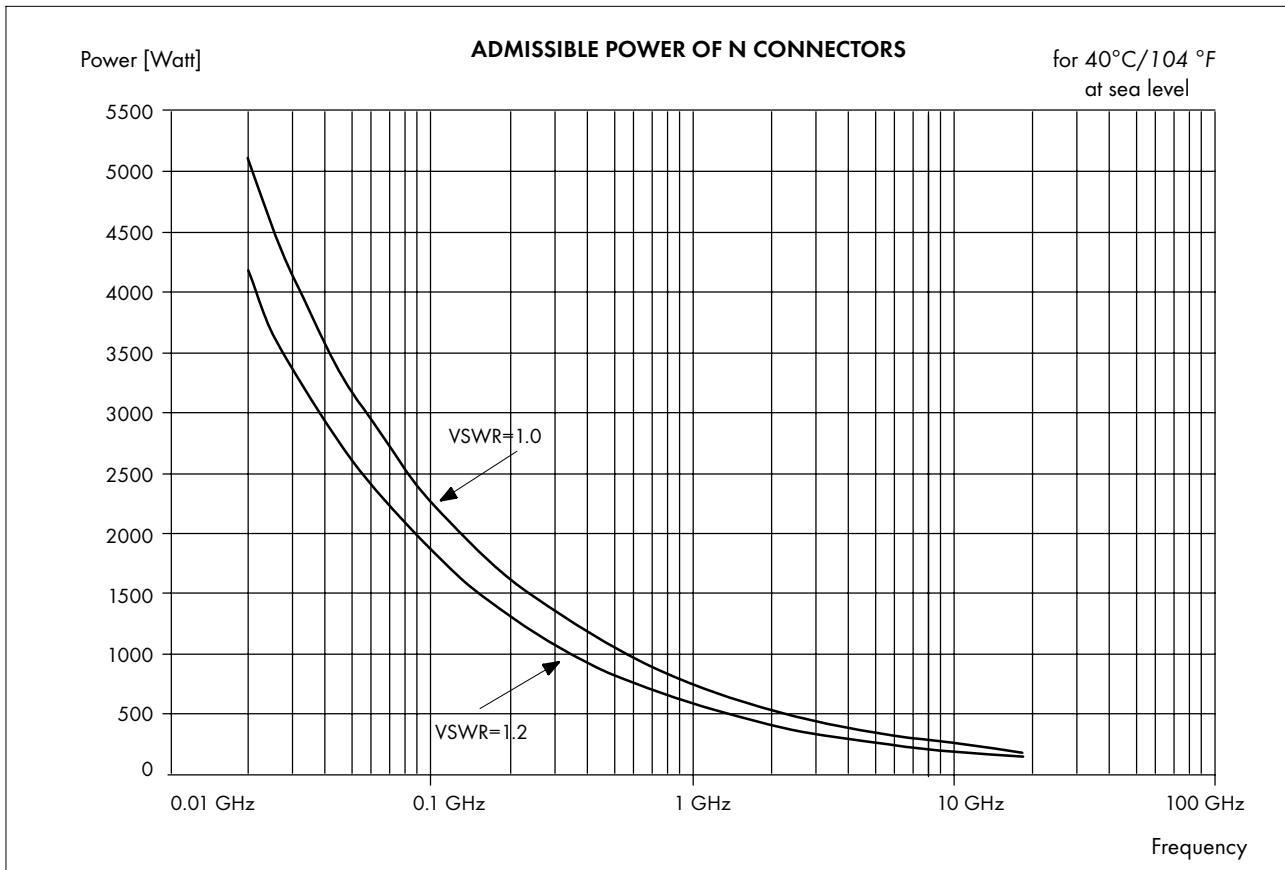
IP rating (interface, mated) IP68

## TECHNICAL DATA

| ELECTRICAL DATA   | REQUIREMENTS                                   |
|---|--|
| Impedance   | 50 $\Omega$                                    |
| Frequency range<br>- flexible cables<br>- semi-rigid cables | DC ... 11 GHz<br>DC ... 18 GHz                 |
| Dielectric withstanding voltage<br>(at sea level)           | 2.5 kV rms, 50 Hz                              |
| Working voltage (at sea level)                              | $\leq$ 1.0 kV rms, 50 Hz                       |
| Insulation resistance                                       | $\geq 5 \cdot 10^3$ M $\Omega$                 |
| Contact resistance<br>- centre contact<br>- outer contact   | $\leq$ 1.0 m $\Omega$<br>$\leq$ 1.0 m $\Omega$ |
| RF-leakage (between 2 ÷ 3 GHz)                              | $\geq$ 90 dB                                   |
| VSWR  | see table below                                |

| TYPICAL VSWR *         | FREQUENCY RANGE |         |       |          |        | CABLE GROUP        |
|------------------------|-----------------|---------|-------|----------|--------|--------------------|
|                        | 1 GHz           | 2.5 GHz | 5 GHz | 12.4 GHz | 18 GHz |                    |
| straight connectors    | 1.04            | 1.05    | 1.08  |          |        | M6                 |
|                        | 1.03            | 1.04    | 1.06  | 1.12     |        | Y5, Y12            |
|                        | 1.03            | 1.04    | 1.05  | 1.07     | 1.09   | Y5, Y12            |
|                        | 1.03            | 1.04    | 1.05  | 1.08     | 1.12   | Y7                 |
|                        | 1.05            | 1.09    | 1.17  |          |        | U7, U9             |
|                        | 1.04            | 1.06    | 1.12  |          |        | U28, U29, U32, U33 |
|                        | 1.03            | 1.05    | 1.14  |          |        | S24                |
|                        | 1.03            | 1.05    | 1.10  |          |        | S39                |
| right angle connectors | 1.04            | 1.05    | 1.08  |          |        | M6                 |
|                        | 1.04            | 1.05    | 1.06  | 1.12     |        | Y5, Y12            |
|                        | 1.05            | 1.10    | 1.20  |          |        | U7, U9             |
|                        | 1.08            | 1.10    | 1.12  |          |        | U28, U29, U32, U33 |

\* Values which can be achieved when connectors are perfectly fixed onto cable.



| MECHANICAL DATA  | REQUIREMENTS   |      |      |      |      |      |
|--|--|------|------|------|------|------|
| Coupling nut torque<br>- recommended<br>- proof torque                         | 0.68 Nm ... 1.13 Nm / 6.0 ... 10.0 in. lbs<br>1.70 Nm / 15.0 in. lbs |      |      |      |      |      |
| Coupling nut retention force   | ≥ 450 N / 101.2 lbs  |      |      |      |      |      |
| Contact captivation  | ≥ 28 N / 6.3 lbs   |      |      |      |      |      |
| Cable retention force <sup>1)</sup>  | see pages 28 - 34  |      |      |      |      |      |
| Durability (matings)   | ≥ 500  |      |      |      |      |      |
| - recommended torque for connectors with profile<br>HEX19 (HEX18) coupling nut | Matings  | 500  | 250  | 100  | 60   | 30   |
|  | Torque   | 1 Nm | 2 Nm | 3 Nm | 4 Nm | 5 Nm |

1) value considers maximum load of the cables without irreversible variations of specifications.

| ENVIRONMENTAL DATA  | TEST CONDITIONS   |
|---------------------|---|
| Temperature range   | - 65°C ... + 165°C / - 85 °F ... + 329 °F                   |
| Climatic category   | IEC → 55/155/21   |
| Thermal shock       | MIL-STD-202, Method 107, Condition B                        |
| Moisture resistance | MIL-STD-202, Method 106                                     |
| Corrosion           | Saltspray test acc. to MIL-STD-202, Method 101, Condition B |
| Vibration           | MIL-STD-202, Method 204, Condition B                        |
| Shock               | MIL-STD-202, Method 213, Condition I                        |

| MATERIAL DATA                |                                       |                |
|------------------------------|---------------------------------------|----------------|
| CONNECTOR PART               | MATERIAL                              | PLATING        |
| Bodies                       | brass                                 | SUCOPLATE®     |
| Pin contacts                 | brass                                 | gold / SUCOPRO |
| Outer contact, slotted       | spring bronze                         | SUCOPLATE®     |
| Female contacts              | copper-beryllium alloy; spring bronze | gold / SUCOPRO |
| Crimp ferrules               | copper                                | SUCOPLATE®     |
| Insulators, standard version | PTFE or PFA                           |                |
| Gaskets                      | silicone rubber                       |                |

Some connectors may have a specification that differs from the above mentioned data.

**The products are designed and guaranteed to pass the above mentioned test procedures. Any additional or different requirement arising from specific applications or environmental conditions which is not covered by these test procedures is subject to request.**

# CABLE CONNECTORS

## Straight cable plugs (male)

- > for semi-rigid cables
- > cable entry soldered
- > centre contact soldered

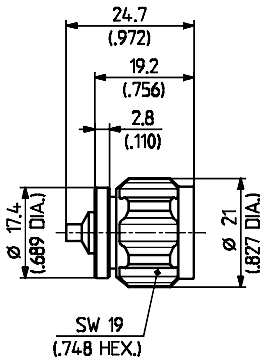


Fig. 1

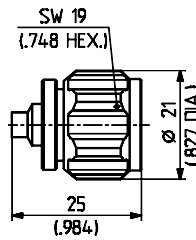
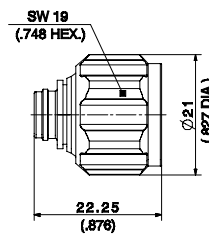


Fig. 2



| HUBER+SUHNER type   | Item no. | Cable group (example) | Packaging | Assembly instruction | Weight          | Fig. |
|---------------------|----------|-----------------------|-----------|----------------------|-----------------|------|
| 11_N-50-2-15/113_UE | 22660315 | Y3, Y11 (EZ 86)       | single    | 3095                 | 25.6 g/0.90 oz. | 1    |
| 11_N-50-3-13/113_NE | 22542083 | Y5, Y12 (EZ 141)      | single    | 3095                 | 29.0 g/1.02 oz. | 2    |

- > for SUCOFORM cables
- > cable entry soldered
- > centre contact soldered



| HUBER+SUHNER type   | Item no. | Cable group (example) | Packaging     | Assembly instruction | Weight          | Fig. |
|---------------------|----------|-----------------------|---------------|----------------------|-----------------|------|
| 11_N-50-5-18/103_NH | 84008445 | Y13 (Sucoform 250-01) | bulk 100 pcs. | 0000215552           | 21.9 g/0.77 oz. | 1    |

> for semi-rigid cables

- > cable entry soldered (Fig. 1)
- > cable entry clamp (Fig. 2)
- > centre contact plugged-in
- > frequency range: DC - 18 GHz

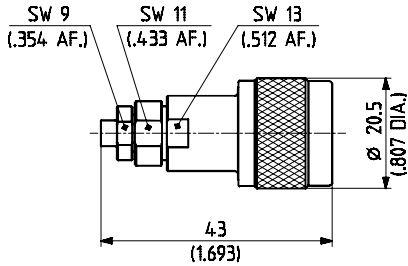


Fig. 1

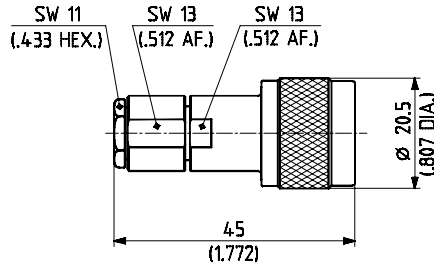


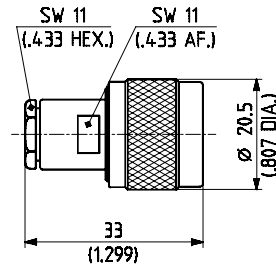
Fig. 2

| HUBER+SUHNER type   | Item no. | Cable group (example) | Packaging | Assembly instruction | Weight          | Fig. |
|---------------------|----------|-----------------------|-----------|----------------------|-----------------|------|
| 11_N-50-3-51/133_NE | 22543919 | Y5, Y12 (EZ 141)      | single    | 9006                 | 43.0 g/1.51 oz. | 1 *  |
| 11_N-50-5-39/133_NE | 22642481 | Y7 (EZ 250)           | single    | 9089                 | 51.0 g/1.79 oz. | 2    |

\* stainless steel

> for flexible cables

- > cable entry clamp
- > centre contact soldered

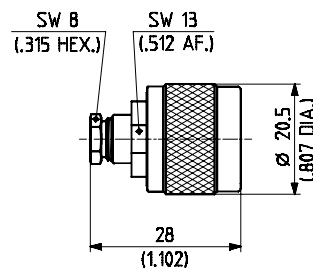


| HUBER+SUHNER type  | Item no. | Cable group (example) | Packaging | Assembly instruction | Weight          |
|--------------------|----------|-----------------------|-----------|----------------------|-----------------|
| 11_N-50-2-1/133_NE | 22544030 | U2 (RG 316/U)         | single    | 3017                 | 38.0 g/1.33 oz. |
| 11_N-50-2-2/133_NE | 22643807 | U4 (K 02252 D)        | single    | 3017                 | 38.0 g/1.33 oz. |
| 11_N-50-3-5/133_NE | 22542073 | U7, 10 (RG 58C/U)     | single    | 3017                 | 36.0 g/1.26 oz. |

**Precision Connector - low VSWR**

> for flexible cables

- > cable entry clamp
- > centre contact soldered
- > VSWR: DC-4 GHz ≤ 1.10    4-10 GHz ≤ 1.20    10-12.4 GHz ≤ 1.25



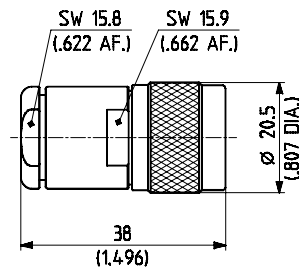
| HUBER+SUHNER type   | Item no. | Cable group (example) | Packaging | Assembly instruction | Weight          |
|---------------------|----------|-----------------------|-----------|----------------------|-----------------|
| 11_N-50-3-54/133_NE | 22642009 | RG 223/U only         | single    | 9099                 | 32.0 g/1.12 oz. |

Cable groups see page 28

Assembly tools see page 385

Mounting holes see page 412

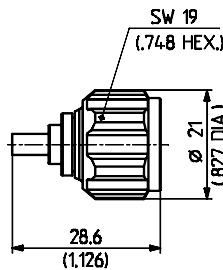
- > for flexible cables
- > cable entry clamp
- > centre contact soldered



| HUBER+SUHNER type  | Item no. | Cable group (example) | Packaging | Assembly instruction | Weight          |
|--------------------|----------|-----------------------|-----------|----------------------|-----------------|
| 11_N-50-7-5/133_NE | 22542117 | U33, 28 (RG 214/U)    | single    | 3007                 | 51.0 g/1.79 oz. |
| 11_N-50-7-6/133_NE | 22542120 | U33, 28 (RG 214/U)    | single    | 3008                 | 51.0 g/1.79 oz. |

☒ centre contact NOT captivated

- for flexible cables
- HUBER+SUHNER® full crimp
- taper sleeves see page 406



| HUBER+SUHNER type   | Item no. | Cable group (example) | Packaging     | Assembly instruction | Crimp insert | Weight          |
|---------------------|----------|-----------------------|---------------|----------------------|--------------|-----------------|
| 11_N-50-2-11/133_NH | 22658813 | U2 (RG 316/U)         | bulk 100 pcs. | 9068                 | 1 A          | 26.5 g/0.93 oz. |
| 11_N-50-2-16/133_NE | 23014128 | U4 (K 02252 D)        | single        | 9068                 | 1 A          | 25.4 g/0.89 oz. |

- > for flexible cables
- > HUBER+SUHNER® full crimp
- > taper sleeves see page 406

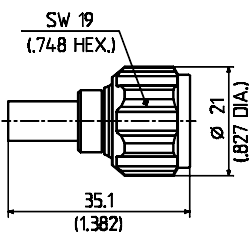


Fig. 1

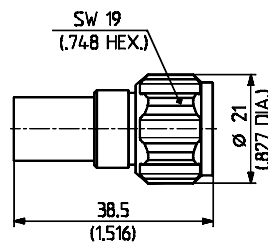


Fig. 2



| HUBER+SUHNER type   | Item no. | Cable group (example) | Packaging     | Assembly instruction | Crimp insert | Weight          | Fig. |
|---------------------|----------|-----------------------|---------------|----------------------|--------------|-----------------|------|
| 11_N-50-3-28/133_NE | 22642842 | U7 (RG 58 C/U)        | single        | 3015                 | 2 B          | 23.0 g/0.81 oz. | 1    |
| 11_N-50-3-29/133_NE | 22642843 | U9 (RG 223/U)         | single        | 3015                 | 2 B          | 23.0 g/0.81 oz. | 1    |
| 11_N-50-3-31/133_NE | 22648829 | U11 (RG 400/U)        | single        | 3015                 | 2 B          | 28.0 g/0.98 oz. | 1    |
| 11_N-50-3-31/133_NH | 22650658 | U11 (RG 400/U)        | bulk 100 pcs. | 3015                 | 2 B          | 28.0 g/0.98 oz. | 1    |
| 11_N-50-4-63/133_NE | 22652069 | S16 (S 04262 D)       | single        | 3015                 | 2 C          | 27.3 g/0.96 oz. | 1    |
| 11_N-50-6-1/133_NE  | 22642488 | U25 (S 06132D)        | single        | 27035                | 3 D          | 34.0 g/1.19 oz. | 2    |

Cable groups see page 28

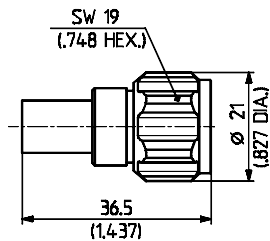
Assembly tools see page 385

Mounting holes see page 412

> for flexible cables

> HUBER+SUHNER® full crimp

> taper sleeves see page 406



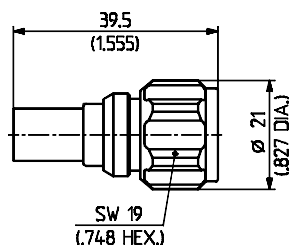
| HUBER+SUHNER type  | Item no. | Cable group (example) | Packaging | Assembly instruction | Crimp insert | Weight          |
|--------------------|----------|-----------------------|-----------|----------------------|--------------|-----------------|
| 11_N-50-6-5/133_NE | 22648674 | S26 (S 06132 D-10)    | single    | 27082                | 3/8.65       | 31.0 g/1.09 oz. |

> for flexible cables

> cable entry crimp

> centre contact plugged-in

> taper sleeves see page 406



| HUBER+SUHNER type   | Item no. | Cable group (example) | Packaging     | Assembly instruction | Crimp insert | Weight          |
|---------------------|----------|-----------------------|---------------|----------------------|--------------|-----------------|
| 11_N-50-6-10/133_NH | 22660330 | S24 (S 06162 D-02)    | bulk 100 pcs. | 27091                | 8.65         | 29.5 g/1.03 oz. |

> for flexible cables

> HUBER+SUHNER® full crimp

> taper sleeves see page 406

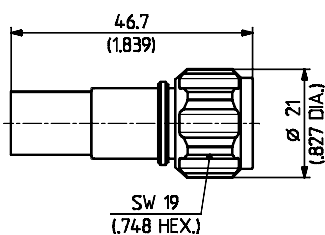


Fig. 1

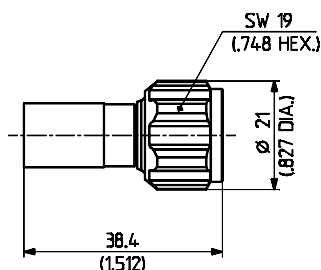


Fig. 2

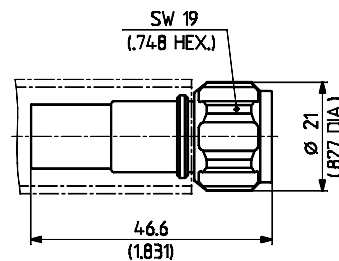
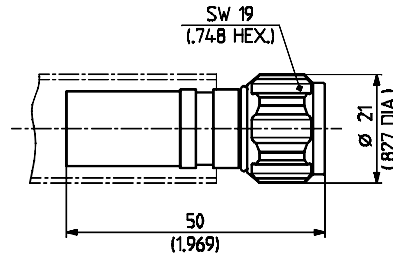


Fig. 3

| HUBER+SUHNER type   | Item no. | Cable group (example) | Packaging | Assembly instruction | Crimp insert | Weight          | Fig. |
|---------------------|----------|-----------------------|-----------|----------------------|--------------|-----------------|------|
| 11_N-50-7-33/133_NE | 22641614 | U30 (S 07232)         | single    | 9067                 | 4 D          | 39.0 g/1.37 oz. | 1    |
| 11_N-50-7-43/133_NE | 22642844 | U29 (RG 213/U)        | single    | 3061                 | 3 D          | 28.0 g/0.98 oz. | 2    |
| 11_N-50-7-44/133_NE | 22642845 | U32 (RG 214/U)        | single    | 3061                 | 3 D          | 28.0 g/0.98 oz. | 2    |
| 11_N-50-7-49/133_NE | 22652111 | S32 (S 07262 BD)      | single    | 9067                 | 4 D          | 40.0 g/1.40 oz. | 3    |
| 11_N-50-7-61/133_NE | 22651793 | U33 (RG 393/U)        | single    | 27070                | 2.5 D        | 28.5 g/1.00 oz. | 2    |



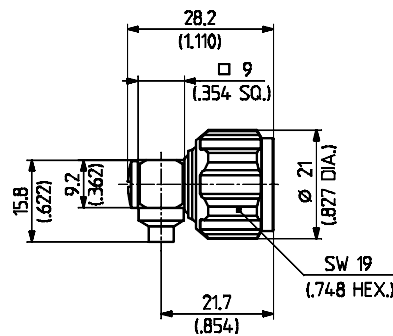
- > for flexible cables
- > cable entry crimp
- > centre contact plugged-in
- > degree of protection IP 67



| HUBER+SUHNER type   | Item no. | Cable group (example) | Packaging    | Assembly instruction | Crimp insert | Weight          |
|---------------------|----------|-----------------------|--------------|----------------------|--------------|-----------------|
| 11_N-50-10-5/103_UV | 23002543 | S39 (S 10162 B-11)    | bulk 20 pcs. | 27356                | 12.4         | 37.8 g/1.32 oz. |

### Right angle cable plugs (male)

- > for semi-rigid cables
- > cable entry soldered
- > centre contact soldered



| HUBER+SUHNER type   | Item no. | Cable group (example) | Packaging | Assembly instruction | Weight          |
|---------------------|----------|-----------------------|-----------|----------------------|-----------------|
| 16_N-50-3-15/133_NE | 22648832 | Y5 (EZ 141)           | single    | 9200                 | 29.1 g/1.02 oz. |

- > for flexible cables
- > cable entry clamp
- > centre contact soldered

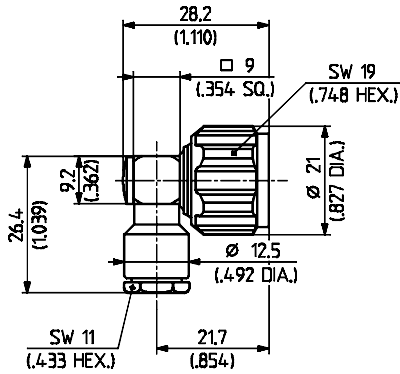


Fig. 1

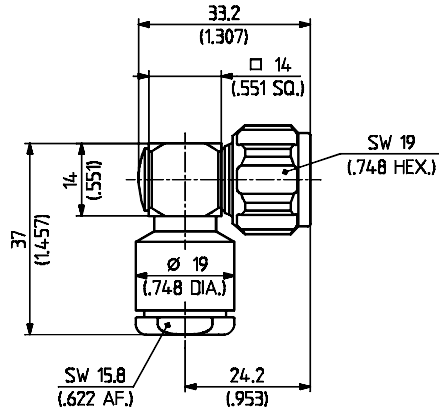


Fig. 2

| HUBER+SUHNER type    | Item no. | Cable group (example) | Packaging | Assembly instruction | Weight          | Fig. |
|----------------------|----------|-----------------------|-----------|----------------------|-----------------|------|
| 16_N-50-3-103/133_NE | 22651610 | U10, U7 (RG 223/U)    | single    | 27060                | 37.0 g/1.30 oz. | 1    |
| 16_N-50-7-26/133_NE  | 22650825 | U28, U33 (RG 213/U)   | single    | 27121                | 65.0 g/2.28 oz. | 2    |

- > for flexible cables
- > cable entry crimp
- > centre contact soldered
- > taper sleeves see page 406

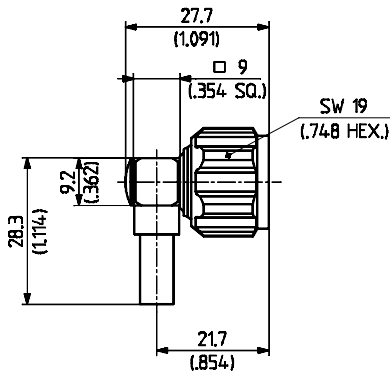


Fig. 1

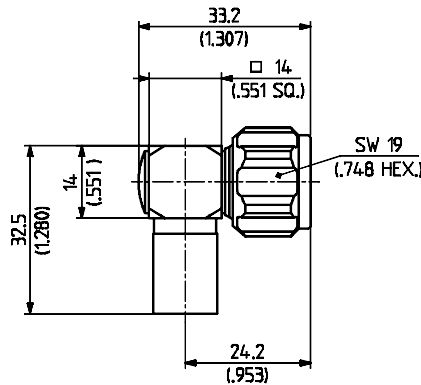


Fig. 2

| HUBER+SUHNER type   | Item no. | Cable group (example) | Packaging     | Assembly instruction | Crimp insert | Weight          | Fig. |
|---------------------|----------|-----------------------|---------------|----------------------|--------------|-----------------|------|
| 16_N-50-3-26/133_NE | 22642846 | U7 (RG 58 C/U)        | single        | 3058                 | B            | 27.0 g/0.95 oz. | 1    |
| 16_N-50-3-27/133_NE | 22642847 | U9 (RG 223/U)         | single        | 3058                 | B            | 27.0 g/0.95 oz. | 1    |
| 16_N-50-3-27/133_NH | 22650168 | U9 (RG 223/U)         | bulk 100 pcs. | 3058                 | B            | 27.0 g/0.95 oz. | 1    |
| 16_N-50-7-30/133_NE | 22642848 | U29 (RG 213/U)        | single        | 3076                 | D            | 42.0 g/1.47 oz. | 2    |
| 16_N-50-7-31/133_NE | 22642849 | U32 (RG 214/U)        | single        | 3076                 | D            | 42.0 g/1.47 oz. | 2    |

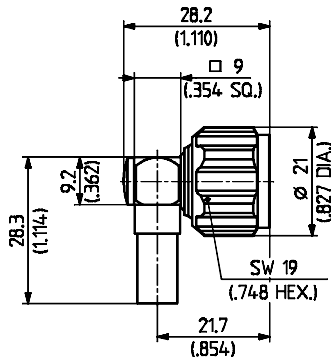
Cable groups see page 28

Assembly tools see page 385

Mounting holes see page 412

> for flexible cables

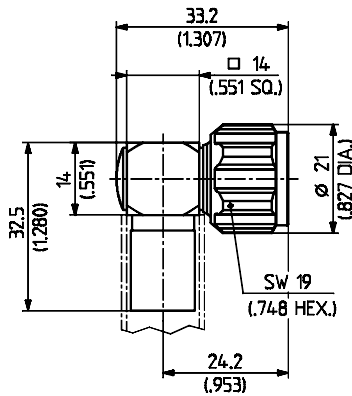
- > cable entry crimp
- > centre contact soldered
- > taper sleeves see page 406



| HUBER+SUHNER type   | Item no. | Cable group (example) | Packaging | Assembly instruction | Crimp insert | Weight          |
|---------------------|----------|-----------------------|-----------|----------------------|--------------|-----------------|
| 16_N-50-4-14/133_NE | 23015067 | S16 (S 04262 D)       | single    | 3058                 | C            | 31.7 g/1.11 oz. |

> for flexible cables

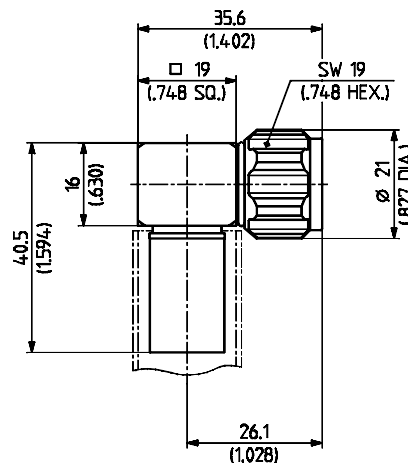
- > cable entry crimp
- > centre contact soldered
- > taper sleeves see page 406



| HUBER+SUHNER type   | Item no. | Cable group (example) | Packaging | Assembly instruction | Crimp insert | Weight          |
|---------------------|----------|-----------------------|-----------|----------------------|--------------|-----------------|
| 16_N-50-7-22/133_NE | 22651794 | S32 (S 07262 BD)      | single    | 9094                 | D            | 50.0 g/1.75 oz. |

> for flexible cables

- > cable entry crimp
- > centre contact soldered
- > degree of protection IP 67
- > taper sleeves see page 406



| HUBER+SUHNER type   | Item no. | Cable group (example) | Packaging    | Assembly instruction | Crimp insert | Weight            |
|---------------------|----------|-----------------------|--------------|----------------------|--------------|-------------------|
| 16_N-50-10-1/103_UV | 23002552 | S39 (S 10162 B-11)    | bulk 20 pcs. | 27357                | 12.4         | 50.0 g/1.75 oz. * |

\* centre contact not nickel underplated

> for flexible cables

> HUBER+SUHNER® full crimp

> taper sleeves see page 406

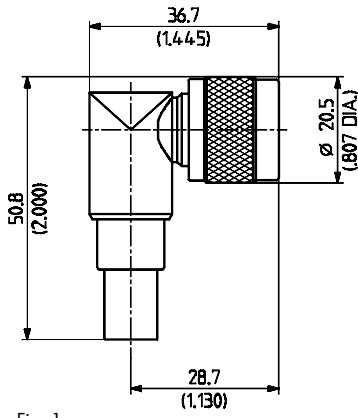


Fig. 1

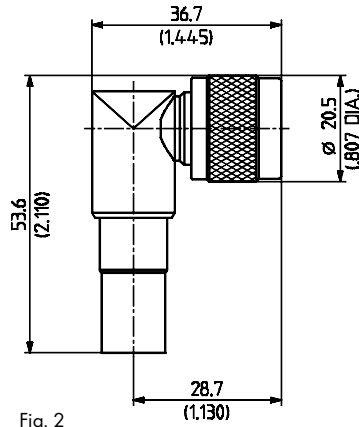


Fig. 2



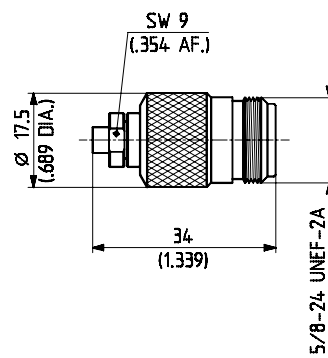
| HUBER+SUHNER type   | Item no. | Cable group (example) | Packaging | Assembly instruction | Crimp insert | Weight          | Fig. |
|---------------------|----------|-----------------------|-----------|----------------------|--------------|-----------------|------|
| 16_N-50-6-8/133_NE  | 22651496 | S26 (S 06132 D-10)    | single    | 27082                | 3/8.65       | 63.0 g/2.21 oz. | 1    |
| 16_N-50-7-28/133_NE | 22652040 | U33 (RG 393/U)        | single    | 27064                | 4 D          | 63.6 g/2.23 oz. | 2    |
| 16_N-50-7-29/133_NE | 22651494 | U29 (RG 213/U)        | single    | 9009                 | 3 D          | 65.0 g/2.28 oz. | 2    |
| 16_N-50-7-36/133_NE | 22651495 | U32 (RG 214/U)        | single    | 9009                 | 3 D          | 66.0 g/2.31 oz. | 2    |

## Straight cable jacks (female)

> for semi-rigid cables

> cable entry soldered

> centre contact soldered



| HUBER+SUHNER type   | Item no. | Cable group (example) | Packaging | Assembly instruction | Frequency range | Weight          |
|---------------------|----------|-----------------------|-----------|----------------------|-----------------|-----------------|
| 21_N-50-2-14/133_NE | 22642666 | Y3, Y11 (EZ 86)       | single    | 9073                 | DC-18 GHz       | 38.0 g/1.33 oz. |
| 21_N-50-3-11/133_NE | 22543921 | Y5, Y12 (EZ 141)      | single    | 9005                 | DC-12.4 GHz     | 38.0 g/1.33 oz. |

☒ centre contact NOT captivated

> for flexible cables

> cable entry clamp

> centre contact soldered

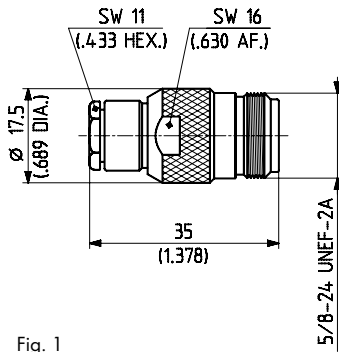


Fig. 1

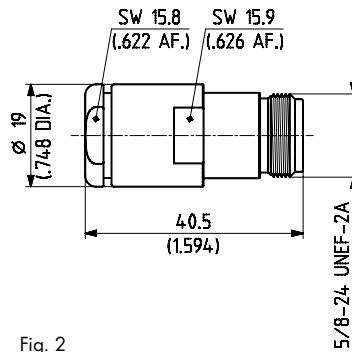


Fig. 2

| HUBER+SUHNER type  | Item no. | Cable group (example) | Packaging | Assembly instruction | Weight          | Fig. |
|--------------------|----------|-----------------------|-----------|----------------------|-----------------|------|
| 21_N-50-3-5/133_NE | 22543504 | U10, U7 (RG 223/U)    | single    | 3017                 | 38.0 g/1.33 oz. | 1    |
| 21_N-50-7-8/133_NE | 22542254 | U28, U33 (RG 213/U)   | single    | 3008                 | 50.0 g/1.75 oz. | 2    |

> for flexible cables

> HUBER+SUHNER® full crimp

> taper sleeves see page 406

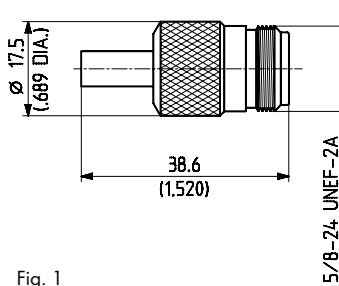


Fig. 1

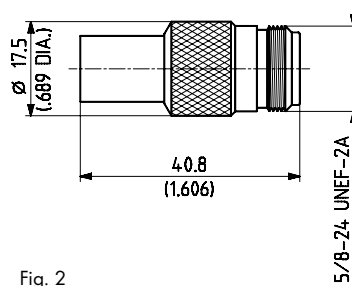
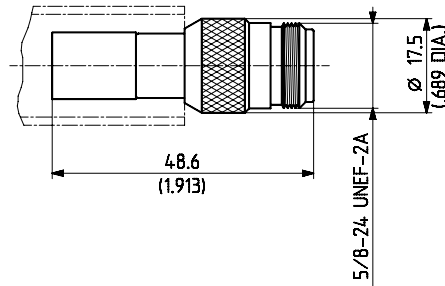


Fig. 2

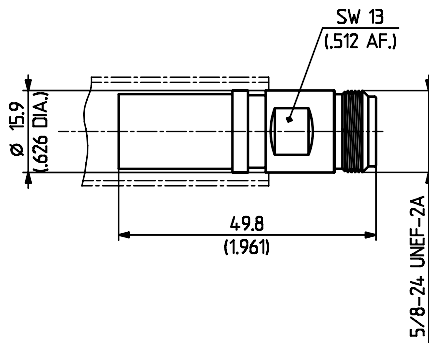
| HUBER+SUHNER type   | Item no. | Cable group (example) | Packaging | Assembly instruction | Crimp insert | Weight          | Fig. |
|---------------------|----------|-----------------------|-----------|----------------------|--------------|-----------------|------|
| 21_N-50-3-7/133_NE  | 22542229 | U7 (RG 58 C/U)        | single    | 3063                 | 2 B          | 36.0 g/1.26 oz. | 1    |
| 21_N-50-3-8/133_NE  | 22542231 | U9 (RG 223/U)         | single    | 3063                 | 2 B          | 36.0 g/1.26 oz. | 1    |
| 21_N-50-3-12/133_NE | 22651795 | U11 (RG 400/U)        | single    | 3063                 | 2 B          | 35.0 g/1.12 oz. | 1    |
| 21_N-50-7-13/133_NE | 22542257 | U29 (RG 213/U)        | single    | 3061                 | 3 D          | 38.0 g/1.33 oz. | 2    |
| 21_N-50-7-14/133_NE | 22542258 | U32 (RG 214/U)        | single    | 3061                 | 3 D          | 37.0 g/1.30 oz. | 2    |

- > for flexible cables
- > HUBER+SUHNER® full crimp
- > taper sleeves see page 406
- > degree of protection IP 66



| HUBER+SUHNER type   | Item no. | Cable group (example) | Packaging | Assembly instruction | Crimp insert | Weight          |
|---------------------|----------|-----------------------|-----------|----------------------|--------------|-----------------|
| 21_N-50-7-20/133_NE | 22651796 | S32 (S 07262 BD)      | single    | 9067                 | 4 D          | 37.0 g/1.30 oz. |

- > for flexible cables
- > cable entry crimp
- > centre contact plugged-in
- > degree of protection IP 67

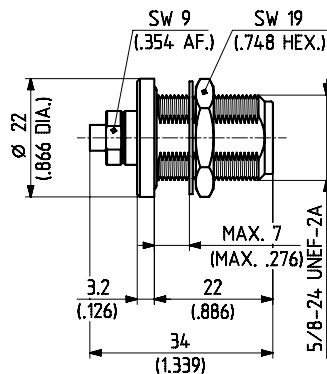


| HUBER+SUHNER type   | Item no. | Cable group (example)  | Packaging    | Assembly instruction | Crimp insert | Weight            |
|---------------------|----------|------------------------|--------------|----------------------|--------------|-------------------|
| 21_N-50-10-1/133_UF | 23003072 | S39 ... (S 10162 B-11) | bulk 50 pcs. | 27356                | 12.4         | 38.1 g/1.33 oz. * |

\* centre contact not nickel underplated

### Straight bulkhead cable jacks (female)

- > for semi-rigid cables
- > cable entry soldered
- > centre contact soldered
- > with panel seal
- > insulating washers see page 408

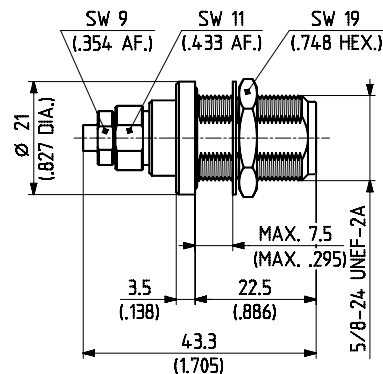


| HUBER+SUHNER type   | Item no. | Cable group (example) | Packaging | Assembly instruction | Frequency range | Weight          |
|---------------------|----------|-----------------------|-----------|----------------------|-----------------|-----------------|
| 24_N-50-2-14/133_NE | 22544637 | Y3, Y11 (EZ 86)       | single    | 9073                 | DC-12.4 GHz     | 39.0 g/1.37 oz. |
| 24_N-50-3-14/133_NE | 22542300 | Y5, Y12 (EZ 141)      | single    | 9005                 | DC-12.4 GHz     | 39.0 g/1.37 oz. |

mounting hole ML 12

> for semi-rigid cables

- > cable entry soldered
- > centre contact plugged-in
- > body material: stainless steel
- > with panel seal
- > insulating washers see page 408

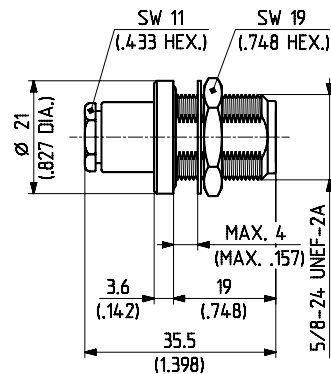


| HUBER+SUHNER type  | Item no. | Cable group (example) | Packaging | Assembly instruction | Frequency range | Weight          |
|--------------------|----------|-----------------------|-----------|----------------------|-----------------|-----------------|
| 24_N-50-3-51/19_NE | 22642344 | Y5, Y12 (EZ 141)      | single    | 9006                 | DC-18 GHz       | 45.0 g/1.58 oz. |

mounting hole ML 12

> for flexible cables

- > cable entry clamp
- > centre contact soldered
- > with panel seal
- > insulating washers see page 408



| HUBER+SUHNER type  | Item no. | Cable group (example) | Packaging | Assembly instruction/<br>Mounting hole | Weight          |
|--------------------|----------|-----------------------|-----------|--|-----------------|
| 24_N-50-2-1/133_NE | 22641239 | U2 (RG 316/U)         | single    | 9150 / ML 12                           | 42.0 g/1.47 oz. |

> for flexible cables

- > cable entry clamp
- > centre contact soldered
- > with panel seal
- > insulating washers see page 408

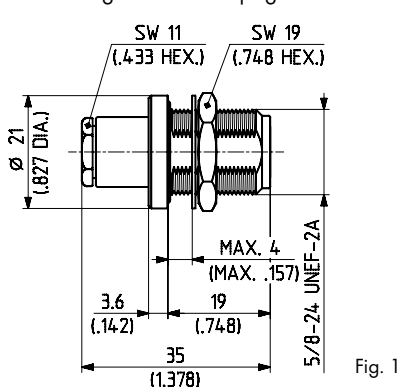


Fig. 1

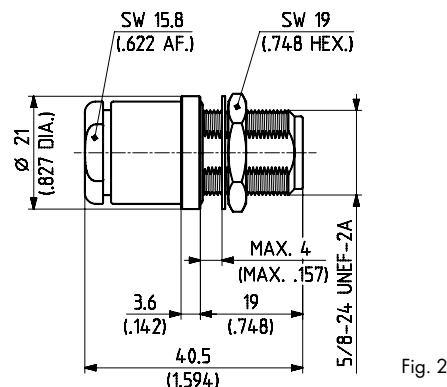


Fig. 2



| HUBER+SUHNER type   | Item no. | Cable group (example) | Packaging | Assembly instruction/<br>Mounting hole | Weight          | Fig. |
|---------------------|----------|-----------------------|-----------|--|-----------------|------|
| 24_N-50-3-10/133_NE | 22542295 | U7, 10 (RG 58C/U)     | single    | 9150 / ML 12                           | 41.0 g/1.44 oz. | 1    |
| 24_N-50-7-8/133_NE  | 22542323 | U33, 28 (RG 214/U)    | single    | 3008 / ML 12                           | 53.0 g/1.86 oz. | 2    |

> for flexible cables

- > HUBER+SUHNER® full crimp
- > taper sleeves see page 406
- > insulating washers see page 408

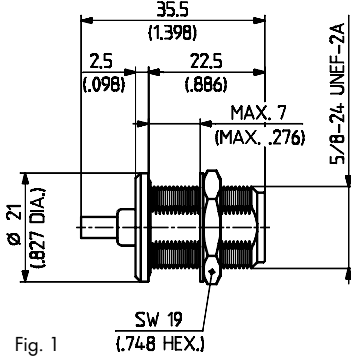


Fig. 1

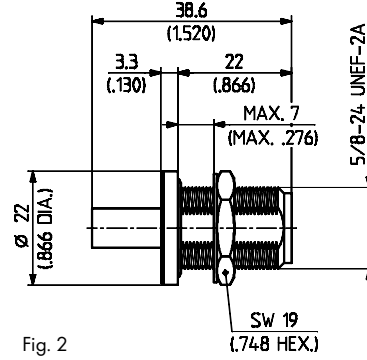


Fig. 2



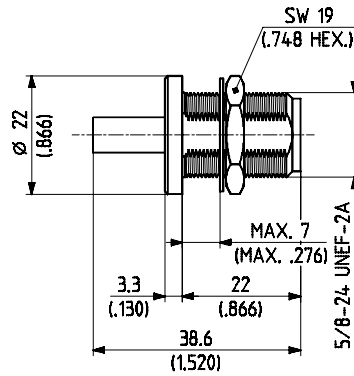
| HUBER+SUHNER type    | Item no. | Cable group (example) | Packaging | Assembly instruction | Crimp insert | Weight          | Fig. |
|----------------------|----------|-----------------------|-----------|----------------------|--------------|-----------------|------|
| 24_N-50-2-4/133_NE   | 22650170 | U2 (RG 316/U)         | single    | 9068                 | 1 A          | 35.2 g/1.23 oz. | 1    |
| 24_N-50-2-117/133_NE | 22660124 | U4 (K 02252 D)        | single    | 9068                 | 1 A          | 36.1 g/1.26 oz. | 1    |
| 24_N-50-4-17/133_UE  | 22651789 | S16 (S 04262 D)       | single    | 3063                 | 2 C          | 37.3 g/1.31 oz. | 2 *  |

\* has to be crimped with large crimp tool or table press!  
centre contact not nickel underplated

mounting hole ML 12

> for flexible cables

- > HUBER+SUHNER® full crimp
- > taper sleeves see page 406
- > insulating washers see page 408



| HUBER+SUHNER type   | Item no. | Cable group (example) | Packaging | Assembly instruction | Crimp insert | Weight            |
|---------------------|----------|-----------------------|-----------|----------------------|--------------|-------------------|
| 24_N-50-3-11/133_NE | 22542296 | U7 (RG 58 C/U)        | single    | 3063                 | 2 B          | 38.0 g/1.33 oz. * |
| 24_N-50-3-12/133_NE | 22542297 | U9 (RG 223/U)         | single    | 3063                 | 2 B          | 38.0 g/1.33 oz. * |

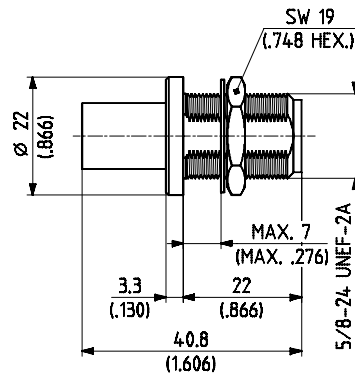
\* has to be crimped with large crimp tool or table press!

mounting hole ML 12



> for flexible cables

- > HUBER+SUHNER® full crimp
- > taper sleeves see page 406
- > insulating washers see page 408

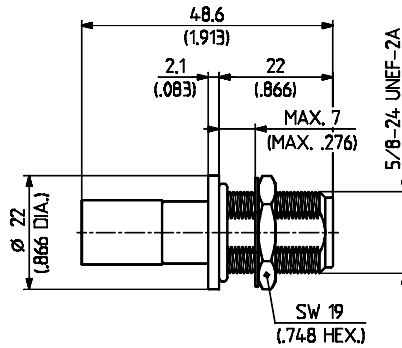


| HUBER+SUHNER type   | Item no. | Cable group (example) | Packaging | Assembly instruction | Crimp insert | Weight          |
|---------------------|----------|-----------------------|-----------|----------------------|--------------|-----------------|
| 24_N-50-7-14/133_NE | 22542326 | U29 (RG 213/U)        | single    | 3061                 | 3 D          | 40.0 g/1.40 oz. |
| 24_N-50-7-15/133_NE | 22542327 | U32 (RG 214/U)        | single    | 3061                 | 3 D          | 40.0 g/1.40 oz. |

mounting hole ML 12

> for flexible cables

- > HUBER+SUHNER® full crimp
- > taper sleeves see page 406
- > insulating washers see page 408



| HUBER+SUHNER type   | Item no. | Cable group (example) | Packaging | Assembly instruction | Crimp insert | Weight          |
|---------------------|----------|-----------------------|-----------|----------------------|--------------|-----------------|
| 24_N-50-7-24/133_NE | 22649912 | U33 (RG 393/U)        | single    | 27064                | 3 D          | 39.3 g/1.38 oz. |

mounting hole ML 12

## Straight panel cable jacks (female)

- > for semi-rigid cables
- > cable entry soldered
- > centre contact soldered
- > fastening screws see page 407

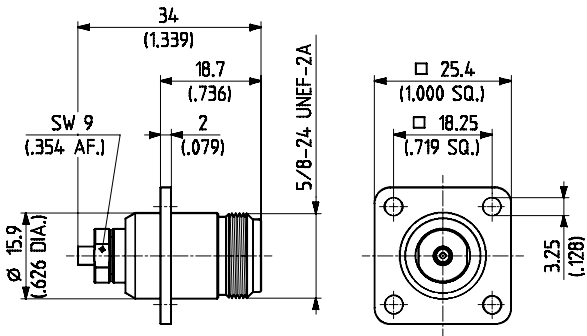


Fig. 1

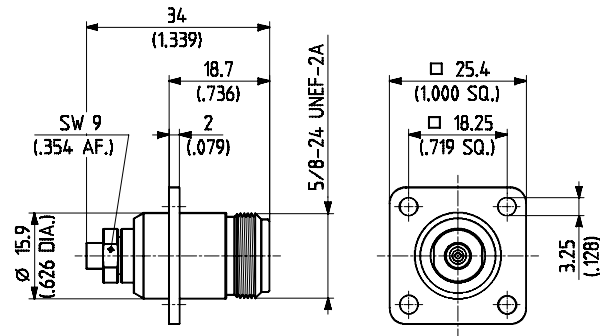
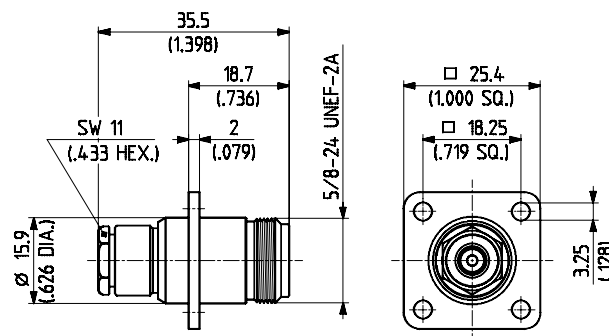


Fig. 2

| HUBER+SUHNER type   | Item no. | Cable group (example) | Packaging | Assembly instruction | Frequency range | Weight        | Fig. |
|---------------------|----------|-----------------------|-----------|----------------------|-----------------|---------------|------|
| 25_N-50-2-14/133_NE | 22641303 | Y3, Y11 (EZ 86)       | single    | 9073                 | DC-12.4 GHz     | 42 g/1.47 oz. | 1    |
| 25_N-50-3-9/133_NE  | 22543952 | Y5, Y12 (EZ 141)      | single    | 9005                 | DC-12.4 GHz     | 42 g/1.47 oz. | 2    |

mounting hole ML 14

- > for flexible cables
- > cable entry clamp
- > centre contact soldered
- > fastening screws see page 407

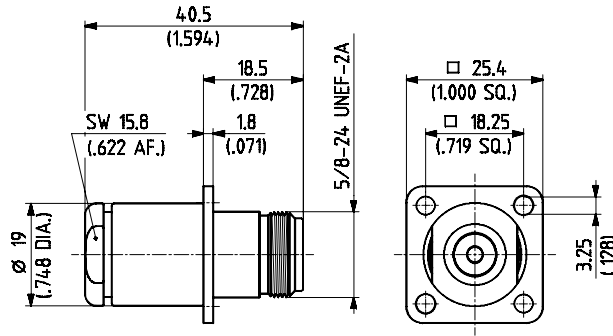


| HUBER+SUHNER type  | Item no. | Cable group (example) | Packaging | Assembly instruction/<br>Mounting hole | Weight          |
|--------------------|----------|-----------------------|-----------|--|-----------------|
| 25_N-50-2-2/133_NE | 22542332 | U2 (RG 316/U)         | single    | 3017 / ML 14                           | 45.0 g/1.58 oz. |
| 25_N-50-3-4/133_NE | 22542342 | U7, 10 (RG 58C/U)     | single    | 3017 / ML 14                           | 44.0 g/1.54 oz. |

☒ centre contact NOT captivated

> for flexible cables

- > cable entry clamp
- > centre contact soldered
- > fastening screws see page 407



| HUBER+SUHNER type  | Item no. | Cable group (example) | Packaging | Assembly instruction/<br>Mounting hole | Weight          |
|--------------------|----------|-----------------------|-----------|--|-----------------|
| 25_N-50-7-8/133_NE | 22542366 | U33, 28 (RG 214/U)    | single    | 3008 / ML 18                           | 55.0 g/1.93 oz. |

> for flexible cables

- > HUBER+SUHNER® full crimp
- > fastening screws see page 407
- > taper sleeves see page 406

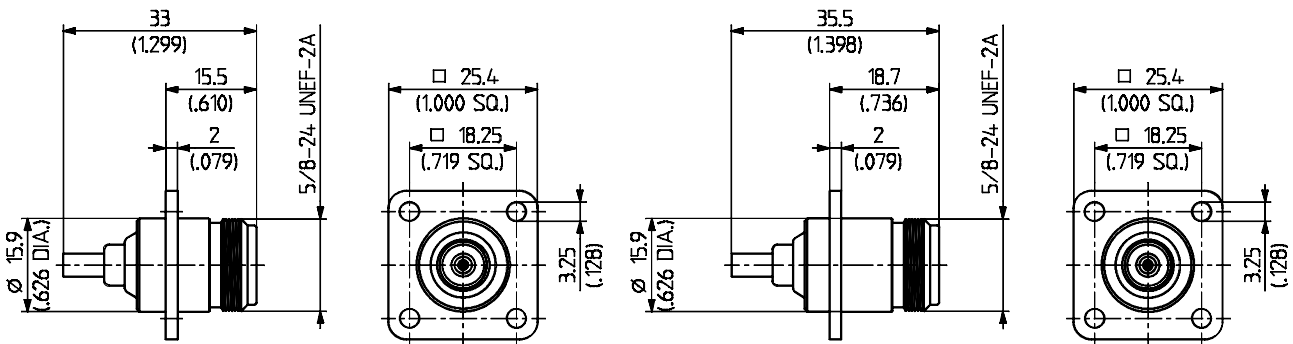


Fig. 1

Fig. 2

| HUBER+SUHNER type   | Item no. | Cable group (example) | Packaging | Assembly instruction | Crimp insert | Weight          | Fig. |
|---------------------|----------|-----------------------|-----------|----------------------|--------------|-----------------|------|
| 25_N-50-2-9/133_NE  | 22651072 | U2 (RG 316/U)         | single    | 3068                 | 1 A          | 34.5 g/1.21 oz. | 1    |
| 25_N-50-2-10/133_NE | 22651054 | U4 (K 02252 D)        | single    | 3068                 | 1 A          | 38.6 g/1.35 oz. | 2    |

mounting hole ML 14

> for flexible cables

- > HUBER+SUHNER® full crimp
- > fastening screws see page 407
- > taper sleeves see page 406

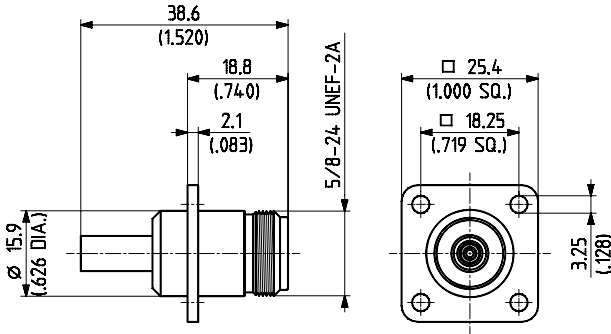


Fig. 1

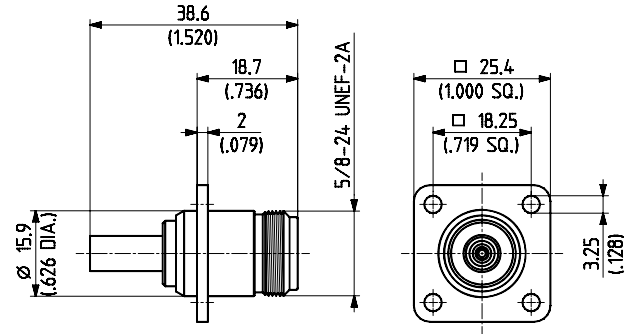


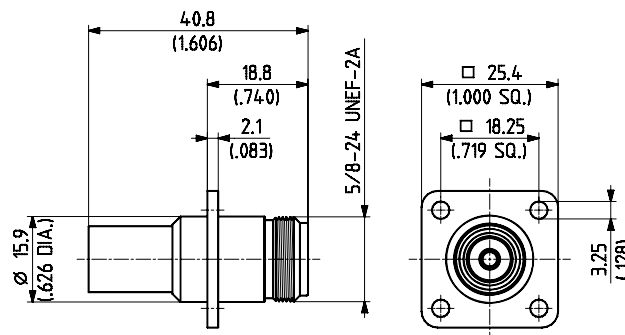
Fig. 2

| HUBER+SUHNER type   | Item no. | Cable group (example) | Packaging | Assembly instruction | Crimp insert | Weight          | Fig. |
|---------------------|----------|-----------------------|-----------|----------------------|--------------|-----------------|------|
| 25_N-50-3-6/133_NE  | 22542346 | U7 (RG 58 C/U)        | single    | 3063                 | 2 B          | 39.0 g/1.37 oz. | 1    |
| 25_N-50-3-7/133_NE  | 22542348 | U9 (RG 223/U)         | single    | 3063                 | 2 B          | 39.0 g/1.37 oz. | 1    |
| 25_N-50-3-20/133_NE | 22649913 | U11 (RG 400/U)        | single    | 3063                 | 2 B          | 37.0 g/1.30 oz. | 2    |

mounting hole ML 14

> for flexible cables

- > HUBER+SUHNER® full crimp
- > fastening screws see page 407
- > taper sleeves see page 406



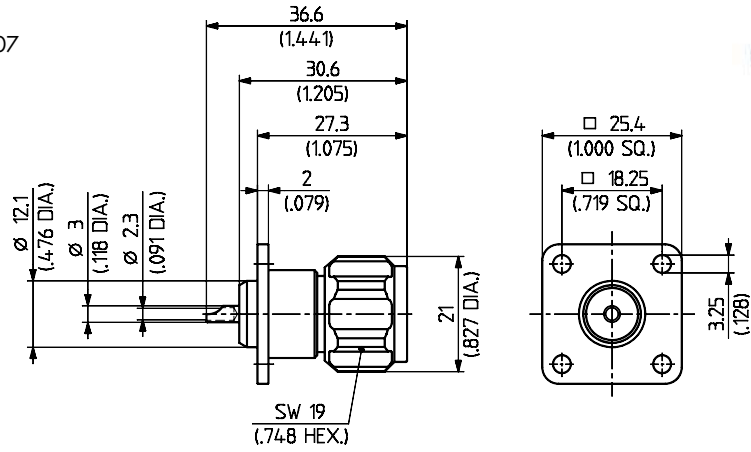
| HUBER+SUHNER type   | Item no. | Cable group (example) | Packaging | Assembly instruction | Crimp insert | Weight          |
|---------------------|----------|-----------------------|-----------|----------------------|--------------|-----------------|
| 25_N-50-7-13/133_NE | 22542369 | U29 (RG 213/U)        | single    | 3061                 | 3 D          | 42.0 g/1.47 oz. |
| 25_N-50-7-14/133_NE | 22542370 | U32 (RG 214/U)        | single    | 3061                 | 3 D          | 42.0 g/1.47 oz. |

mounting hole ML 14

# RECEPTACLES WITH SOLDER END

## Receptacles, plugs (male)

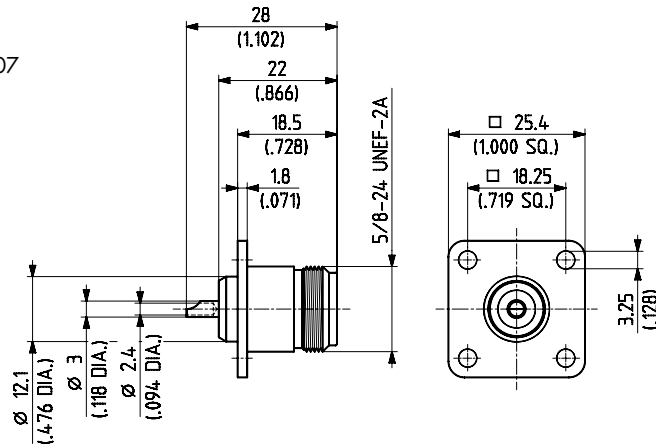
- > panel mounted
- > fastening screws see page 407



| HUBER+SUHNER type  | Item no. | Packaging | Mounting hole | Weight          |
|--------------------|----------|-----------|---------------|-----------------|
| 13_N-50-0-1/133_NE | 22542173 | single    | ML 16         | 46.0 g/1.61 oz. |

## Receptacles, jacks (female)

- > panel mounted
- > fastening screws see page 407



| HUBER+SUHNER type  | Item no. | Packaging | Mounting hole | Weight          |
|--------------------|----------|-----------|---------------|-----------------|
| 23_N-50-0-1/133_NE | 22542272 | single    | ML 17         | 31.0 g/1.09 oz. |

- > bulkhead mounted
- > solder tags see page 409
- > with panel seal
- > insulating washers see page 408

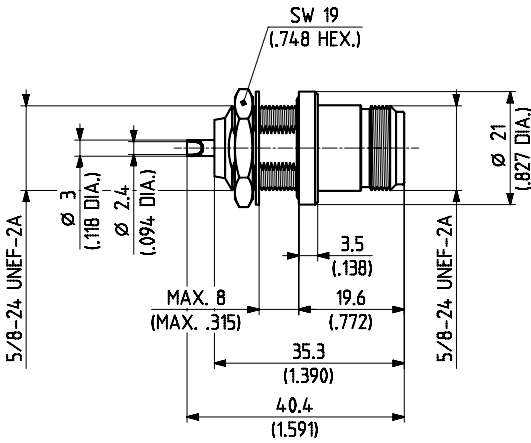


Fig. 1

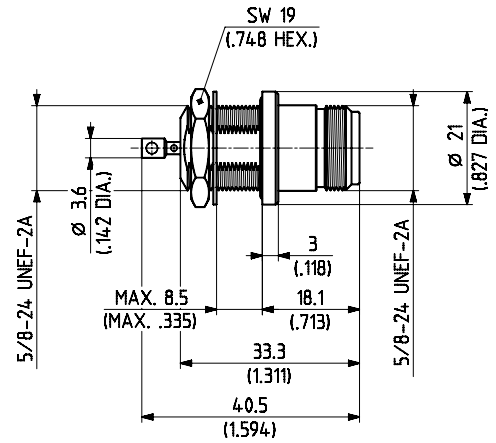
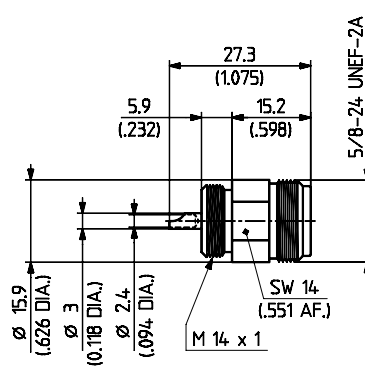


Fig. 2

| HUBER+SUHNER type  | Item no. | Packaging | Mounting hole | Weight          | Notes                 | Fig. |
|--------------------|----------|-----------|---------------|-----------------|-----------------------|------|
| 22_N-50-0-2/133_NE | 22542265 | single    | ML 12         | 47.0 g/1.65 oz. |                       | 1    |
| 22_N-50-0-3/133_NE | 22644425 | single    | ML 12         | 47.0 g/1.65 oz. | hermetically sealed * | 2    |

\* leak rate  $10^{-6}$  Torr l/sec.(atm cc/s) max.  
 \* RoHs compliant alternative on request

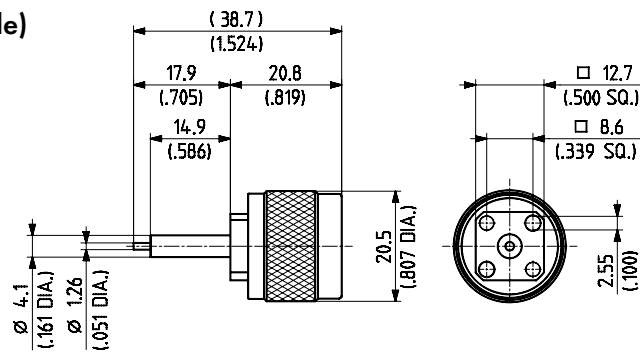
- > bulkhead mounted



| HUBER+SUHNER type   | Item no. | Packaging    | Weight          | Notes  |
|---------------------|----------|--------------|-----------------|--|
| 22_N-50-0-23/133_NF | 22651448 | bulk 50 pcs. | 20.8 g/0.73 oz. | without nut and washer (direct screw into panel, thread M14x1) |

### Receptacles, plugs (male)

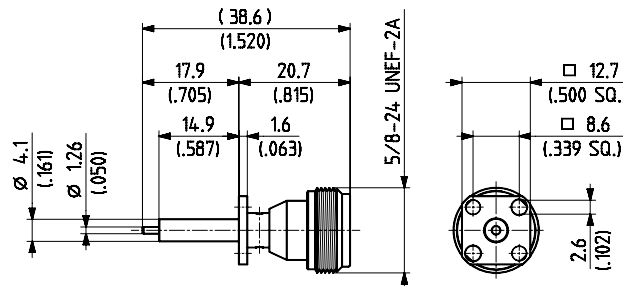
- > panel mounted
- > extended dielectric
- > fastening screws included



| HUBER+SUHNER type   | Item no. | Packaging | Weight          | Notes           |
|---------------------|----------|-----------|-----------------|-----------------|
| 13_N-50-0-30/133_NE | 22642831 | single    | 30.0 g/1.05 oz. | SMA flange size |

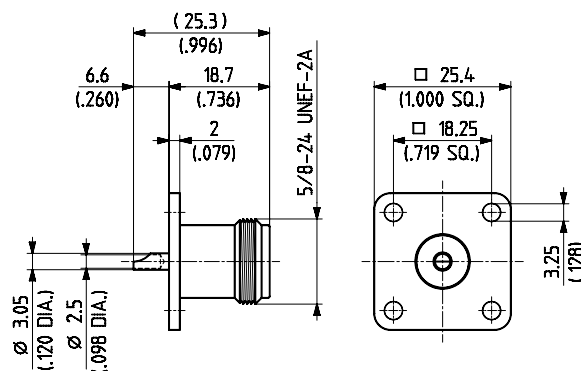
### Receptacles, jacks (female)

- > panel mounted
- > extended dielectric
- > fastening screws see page 407



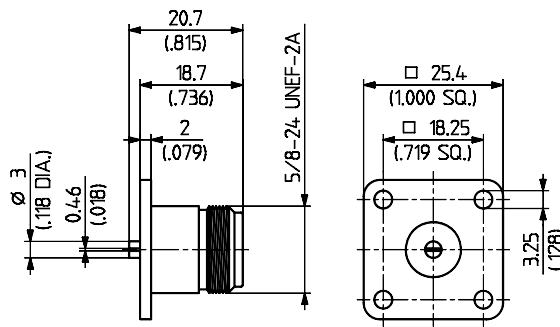
| HUBER+SUHNER type   | Item no. | Packaging | Weight          | Notes           |
|---------------------|----------|-----------|-----------------|-----------------|
| 23_N-50-0-30/133_NE | 22642835 | single    | 14.0 g/0.49 oz. | SMA flange size |

- > panel mounted
- > solder pot terminal
- > flush dielectric
- > fastening screws see page 407



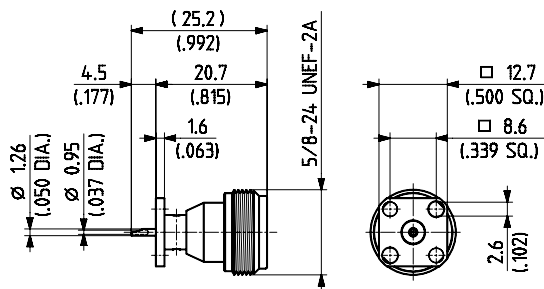
| HUBER+SUHNER type   | Item no. | Packaging | Weight          | Notes |
|---------------------|----------|-----------|-----------------|-------|
| 23_N-50-0-23/133_NE | 22544751 | single    | 24.0 g/0.84 oz. |       |

- > end of center pin slotted
- > panel mounted
- > flush dielectric
- > fastening screws see page 407



| HUBER+SUHNER type   | Item no. | Packaging     | Weight          | Notes |
|---------------------|----------|---------------|-----------------|-------|
| 23_N-50-0-69/133_NX | 22648797 | bulk 150 pcs. | 27.9 g/0.89 oz. |       |

- > panel mounted
- > solder pot terminal
- > flush dielectric
- > fastening screws see page 407

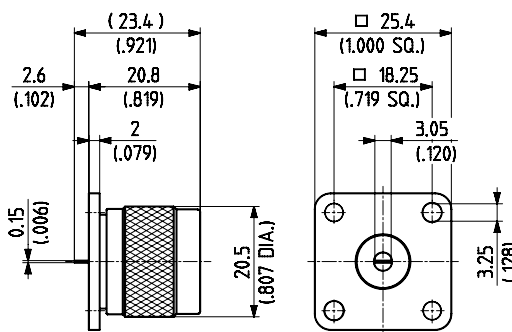


| HUBER+SUHNER type   | Item no. | Packaging | Weight          | Notes           |
|---------------------|----------|-----------|-----------------|-----------------|
| 23_N-50-0-31/133_NE | 22642836 | single    | 13.6 g/0.48 oz. | SMA flange size |

## STRIPLINE LAUNCHERS

### Receptacles, plugs (male)

- > panel mounted
- > tab contact
- > flush dielectric
- > fastening screws see page 407



| HUBER+SUHNER type   | Item no. | Packaging | Weight          | Notes |
|---------------------|----------|-----------|-----------------|-------|
| 13_N-50-0-33/133_NE | 22642834 | single    | 36.0 g/1.26 oz. |       |



## Receptacles, jacks (female)

- > panel mounted
- > tab contact
- > flush dielectric
- > fastening screws see page 407

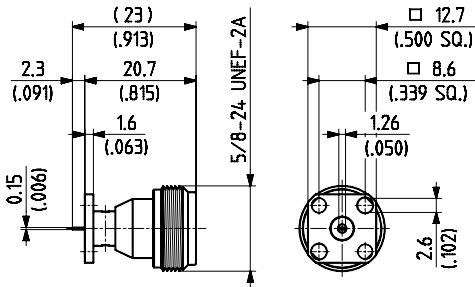


Fig. 1

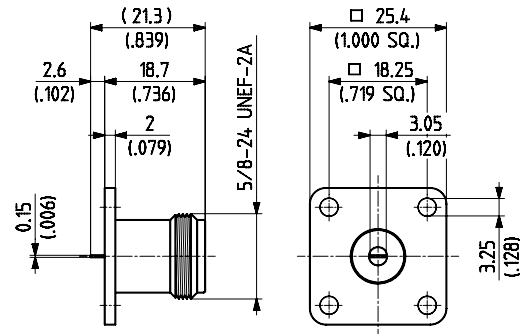


Fig. 2

| HUBER+SUHNER type   | Item no. | Packaging | Weight          | Notes           | Fig. |
|---------------------|----------|-----------|-----------------|-----------------|------|
| 23_N-50-0-16/133_NE | 22641166 | single    | 13.5 g/0.47 oz. | SMA flange size | 1    |
| 23_N-50-0-33/133_NE | 22642837 | single    | 24.5 g/0.86 oz. |                 | 2    |

## PROTECTIVE CAPS

- > suitable for N50 Ω and N75 Ω
- > with chain

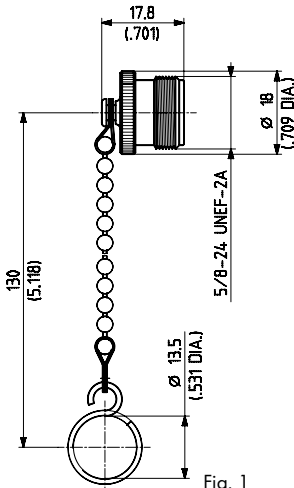


Fig. 1

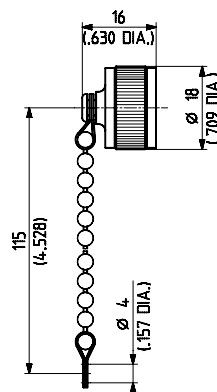


Fig. 2



| HUBER+SUHNER type | Item no. | Packaging | Weight          | Notes     | Fig. |
|-------------------|----------|-----------|-----------------|-----------|------|
| 61_N-0-0-1/-3_E   | 22542452 | single    | 16.0 g/0.56 oz. | for plugs | 1    |
| 62_N-0-0-1/-3_E   | 22543433 | single    | 15.0 g/0.53 oz. | for jacks | 2    |

N 50